



## POWER VENTED MULTI-POSITION GAS-FIRED HEATER

(II<sub>2E</sub> (S) B3P & II<sub>2E</sub>3P)



### COUNTRIES OF DESTINATION:

NL, DE, LU, BE, AT, DK, ES, FI, GB, IE, IT, PT, SE, GR, FR

#### Description/Application

- All models are design certified to be in compliance with the EC Essential Requirements of the Gas Appliance Directive (90/396/EEC).
- Completely assembled, factory tested heater, for heating / air conditioning application
- For utility room, closet, alcove, basement or attic application.
- All models can be common vented with a water heater using dual-wall vent.
- Capable of multi-position installation- upflow, downflow or horizontal (left side and right side) application.
- This heater must not be horizontally vented without the use of optional equipment SVB80-5, Sidewall Venting Blower.
- Electrical Rating 230/1/50
- Gas Connection ½ BSPT, right or left hand
- Input Ranges 11.10 kW to 44.00 kW

#### Construction

- Heavy gauge, reinforced, wrap around insulated, steel cabinet with durable baked enamel finish.
- Aluminized steel heat exchanger cells featuring the “weldfree” manufacturing process.
- Aluminized steel inshot burners.

#### Standard equipment

- Energy saving PSC, multi-speed, direct drive blower motors.
- Quiet operating, sound isolated blower assembly.
- 40va transformer for heating and air conditioning control service.
- Combination redundant gas valve and regulator.
- Integrated control with diagnostics.
- Blower door interlock switch.
- Energy saving electronic ignition system.
- Alternate bottom, left or right side air return provision.
- Quiet operating venter motor.
- Easily removable base plate.
- Multiple flame rollout switches.
- Manual and automatic outlet air limit switches.
- Pressure switch for proof of combustion air.

#### Optional Equipment

- L.P. conversion kit LPM-01
- Combustible floor base for downflow configuration.
- Sidewall Venting Blower (SVB80-5) for horizontal venting.

Model GMP	Weight Kg.	Sides	Clearances cm			Vent Clearance cm		Subbase
			Rear	Top	Front	Single Wall	Dual Wall	
050-32C	51.70	2.54	0	2.54	7.60	15.20	2.54	SBM14
075-32C	56.20	2.54	0	2.54	7.60	15.20	2.54	SBM14
100-42C	67.10	2.54	0	2.54	7.60	15.20	2.54	SBM17
125-52C	75.30	2.54	0	2.54	7.60	15.20	2.54	SBM21
150-52C	80.70	2.54	0	2.54	7.60	15.20	2.54	SBM24

### Air Flow Data

#### GMP050-32C

Static Pressure Mbar @ 4°C	High Speed M <sup>3</sup> /s	High Speed Temp. Rise °C	Low Speed M <sup>3</sup> /s	Low Speed Temp. Rise °C
.2491	.54	18	.45	22
.4982	.50	19	.41	23
.7473	.47	21	.38	25
.9964	.43	22	.35	27
1.245	.38	25	.31	31
1.494	.33	29	.28	34

#### GMP075-32C

Static Pressure Mbar @ 4°C	High Speed M <sup>3</sup> /s	High Speed Temp. Rise °C	Low Speed M <sup>3</sup> /s	Low Speed Temp. Rise °C
.2491	.56	26	.47	29
.4982	.51	29	.43	34
.7473	.47	30	.39	37
.9964	.46	31	.35	41
1.254	.37	39	.31	47
1.494	.32	45	Not rated	Not rated

#### GMP100-42C

Static Pressure Mbar @ 4°C	High Speed M <sup>3</sup> /s	High Speed Temp. Rise °C	Low Speed M <sup>3</sup> /s	Low Speed Temp. Rise °C
.2491	.71	27	.62	31
.4982	.66	29	.58	33
.7473	.61	32	.55	35
.9964	.56	35	.50	38
1.245	.50	39	.45	43
1.494	.43	45	.40	48

#### GMP125-52C

Static Pressure Mbar @ 4°C	High Speed M <sup>3</sup> /s	High Speed Temp. Rise °C	Med. Speed M <sup>3</sup> /s	Med. Speed Temp. Rise °C	Low Speed M <sup>3</sup> /s	Low Speed Temp. Rise °C
.2491	1.04	23	.88	28	.65	34
.4982	.97	25	.82	29	.61	40
.7473	.91	27	.77	31	.57	42
.9964	.84	29	.72	34	.53	46
1.245	.77	31	.65	37	.49	50
1.494	.70	35	.59	41	.44	51

For altitudes above 609 meters reduce the input rating 4% for each 305 meters above sea level.

**2L Models**

Model # GMP	050-32C	075-32C	100-42C	125-52C	150-52C
Declared Input (Gross CV basis)	11.10 kW	16.70 kW	22.30 kW	27.80 kW	33.40 kW
Supply Pressure Mbar	25	25	25	25	25
Burner Pressure Mbar	8.70	8.70	8.70	8.70	8.70
Temperature Rise Range °C	11 – 28	22 – 39	19 - 36	25 - 42	19 – 36

**3P Models**

Model # GMP	050-32C	075-32C	100-42C	125-52C	150-52C
Declared Input (Gross CV basis)	11.70 kW	17.60 kW	23.40 kW	29.30 kW	35.20 kW
Supply Pressure Mbar	37	37	37	37	37
Burner Pressure Mbar	26.70	26.70	26.70	26.70	26.70
Temperature Rise Range °C	11 – 28	22 – 39	19 - 36	25 - 42	19 – 36

**2E Models**

Model # GMP	050-32C	075-32C	100-42C	125-52C	150-52C
Declared Input (Gross CV Basis)	13.20 kW	22.00 kW	29.30 kW	36.60 kW	44.00 kW
Supply Pressure Mbar	20	20	20	20	20
Burner Pressure Mbar	8.70	8.70	8.70	8.70	8.70
Temperature Rise Range °C	11 – 28	22 - 39	19 - 36	25 - 42	19 – 36

**2H Models**

Model # GMP	050-32C	075-32C	100-42C	125-52C	150-52C
Declared Input (Gross CV Basis)	13.20 kW	22.00 kW	29.30 kW	36.60 kW	44.00 kW
Supply Pressure Mbar	20	20	20	20	20
Burner Pressure Mbar	8.70	8.70	8.70	8.70	8.70
Temperature Rise Range °C	11 – 28	22 - 39	19- 36	25 - 42	19 – 36

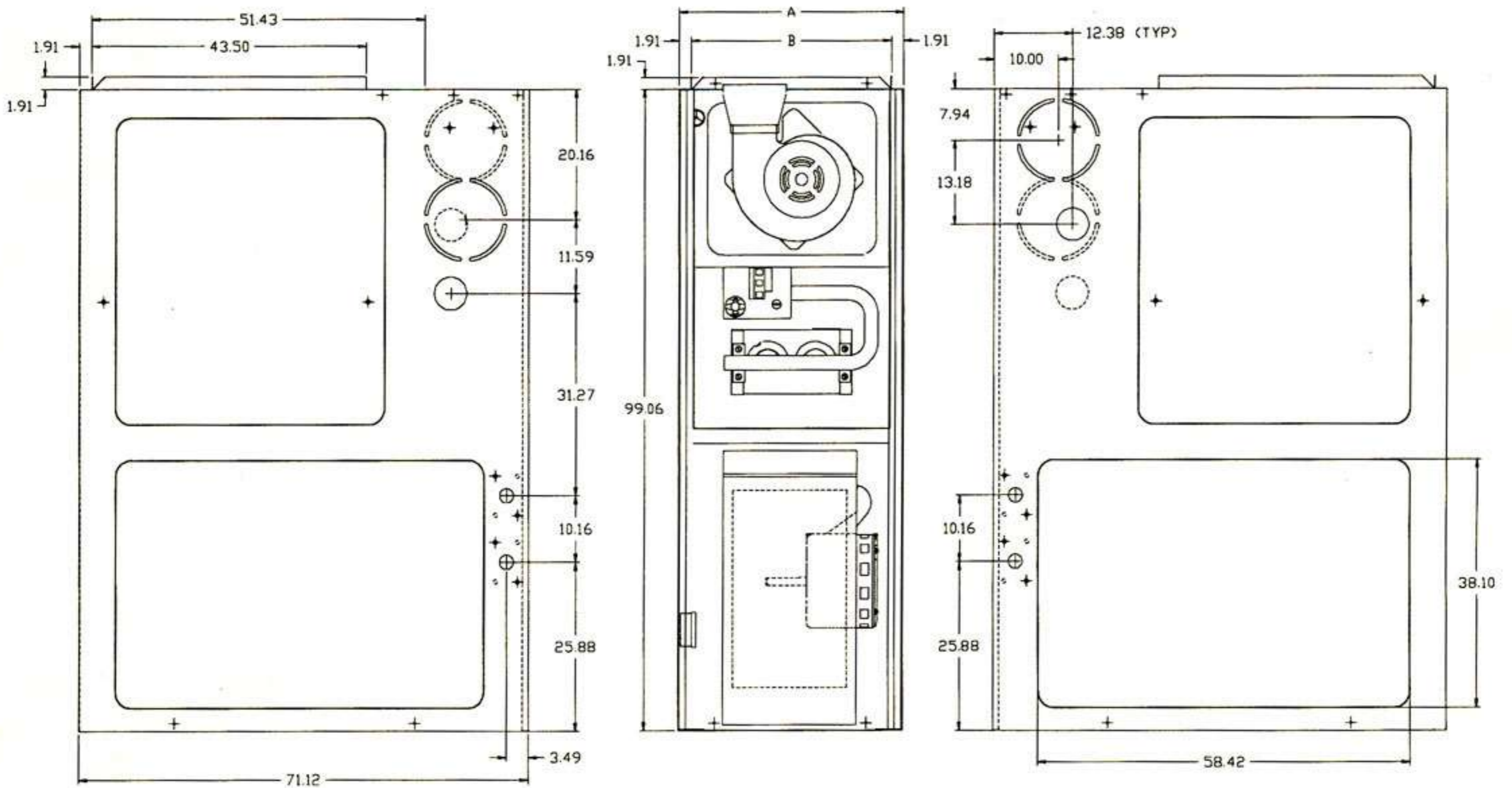
**2E(S)B Models**

Model # GMP	050-32C	075-32C	100-42C	125-52C	150-52C
Declared Input (Gross CV Basis)	13.20 kW	22.00 kW	29.30 kW	36.60 kW	44.00 kW
Supply Pressure Mbar	20/25	20/25	20/25	20/25	20/25
Burner Pressure Mbar	8.70	8.70	8.70	8.70	8.70
Temperature Rise Range °C	11 – 28	22 - 39	19 - 36	25 - 42	19 – 36

**GMP150-52C**

Static Pressure Mbar @ 4°C	High Speed M <sup>3</sup> /s	High Speed Temp. Rise °C	Med. Speed M <sup>3</sup> /s	Med. Speed Temp. Rise °C	Low Speed M <sup>3</sup> /s	Low Speed Temp. Rise °C
.2491	1.07	27	1.03	28	.94	31
.4982	1.03	28	.99	29	.91	32
.7473	.98	29	.96	30	.88	33
.9964	.90	32	.88	33	.82	36
1.245	.81	36	.78	37	.73	40
1.494	.72	40	.69	42	.64	45

Model # GMP	Automatic Limit Setting °C	Manual Limit Setting °C	Blower Speed (Heating)	Auxiliary Limit Setting °C	Pressure Switch Setting Pa
050-32C	66	82	Low	49	872
075-32C	71	110	Low	49	872
100-42C	77	127	Low	49	996
125-52C	104	171	Med	49	1170
150-52C	77	116	Med	49	1495



GMP	1	2	3	4	5	6	7	A	B
050-32C	35w	½ BSPT	106 mm	¼ hp 1.40a.	25.40 cm	15.24 cm	# 43	356 mm	318 mm
075-32C	35w	½ BSPT	106 mm	¼ hp 1.40a.	25.40 cm	15.24 cm	# 43	356 mm	318 mm
100-42C	35w	½ BSPT	106 mm	½ hp 2.25a.	25.40 cm	20.32 cm	# 43	446 mm	408 mm
125-52C	35w	½ BSPT	106 mm	¾ hp 4.70a.	27.94 cm	25.40 cm	# 43	536 mm	498 mm
150-52C	35w	½ BSPT	106 mm	¾ hp 4.70a.	25.40 cm	15.24 cm	# 43	626 mm	588 mm

Before installation, check that the local distribution conditions, nature of gas and pressure, and the current state of adjustments of the appliance are compatible.

**Factory fitted for natural 2H @ 20 mbar.**

### WARNING

IF THIS HEATER IS INSTALLED IN AN ENCLOSED AREA, SUCH AS A GARAGE OR UTILITY ROOM, WITH ANY OTHER **CARBON MONOXIDE** PRODUCING DEVICE (i.e. AUTOMOBILE, SPACE HEATER, ETC.) INSURE THAT THE ENCLOSED AREA IS PROPERLY VENTED.

